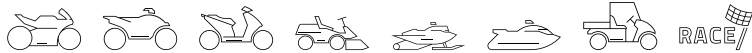


Motorcycle Batteries



intAct Bike-Power GEL HVT-HD

Sealed maintenance-free GEL with extra compressed plate packs | electrolyte immobilized by gel-additive



EXTREMELY VIBRATION-RESISTANT POWER PACKAGE

Low self-discharge and particularly high currents make this battery the perfect choice for Harleys and other high-capacity bikes with lots of extra equipment. Our recommendation for motorcycles with a lot of consuming equipment and powerful engines.

- » Perfect for **Harleys** and other bikes with **high-capacity 2-cylinder engines**.
- » **Highest cold cranking aper:** For two-wheelers with high energy requirements, e.g. due to ABS safety technology.
- » **Extremely vibration-resistant.** Plate packs compressed and precisely fitted into the battery box.
- » Robust housing made of impact-resistant plastic.** For heavy mechanical stress.
- » **Leak-proof. Can be installed at an angle** because the electrolyte is immobilized by gel-additive.
- » **Sealed maintenance-free.**

Datasheet

BIKE POWER **GEL HVT-HD**



Artnum.

GEL-HVT-06

Japan-Code

GHD24HL-BS

Volt

12V

Capacity

24 AH (c20)

CCR - 18°C (EN)

410 A (EN)

Electrolyte

diluted sulphuric acid

Electrolyte density

1,28+/- 0,01 Kg/l (25°)

Size (LxWxH)

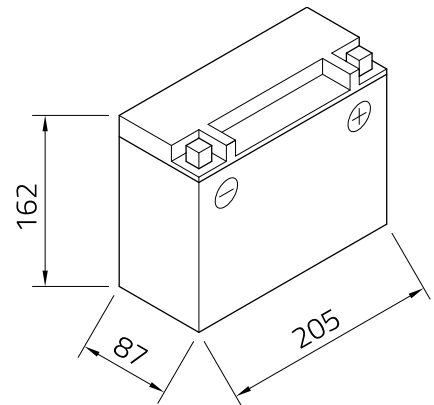
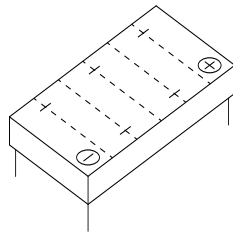
205 x 87 x 162 mm

Weight

7,7 kg

Pos. of Terminal

0



Technology

Sealed maintenance-free GEL with extra compressed plate packs | electrolyte immobilized by gel-additive

Terminal

screw terminal

Base plate

-

As of 15.08.2022

KECKEISEN
AKKUMULATOREN

Stefan Keckeisen
Akkumulatoren e.K.

Europastraße 9
87700 Memmingen

Fon +49 (0) 8331-94444-0
Fax +49 (0) 8331-94444-9

info@intact-batterien.de
www.intact-batterien.de