

Motorcycle Batteries

BIKE
POWER **CLASSIC**



intAct Bike-Power Classic

Low-maintenance lead-acid battery | dry-charged, acid pack included



intAct
BATTERY - POWER

POWERFUL AND SUSTAINABLE

The solid battery without frills delivers high starting power, with regular maintenance it achieves a long service life and has excellent recycling properties. Our recommendation for an inexpensive standard motorcycle battery.

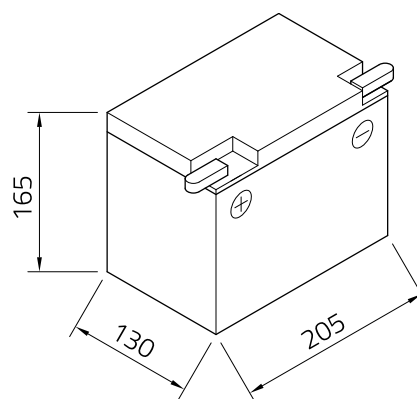
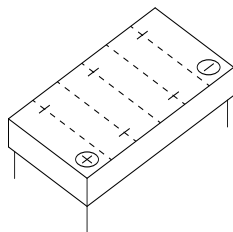
- » Reliable starting power at an excellent price.
- » Replacement recommendation for broken flooded battery.
- » Central degassing.
- » Only to be installed upright, as flooded battery with vent caps.

Datasheet

BIKE
POWER **CLASSIC**

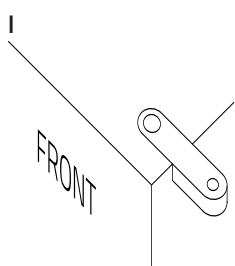


Artnum.	52810S
Japan-Code	CHD4-12, CHD-12
Volt	12V
Capacity	28 AH (c20)
CCR - 18°C (EN)	230 A (EN)
Electrolyte	diluted sulphuric acid
Electrolyte density	1,28 +/- 0,01 kg/l (25°)
Size (LxWxH)	205 x 130 x 165 mm
Weight	9,2 kg
Pos. of Terminal	1

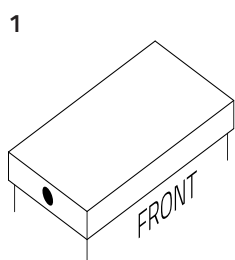


Technology Low-maintenance lead-acid battery | dry-charged, acid pack included

Terminal 1



Degassing 1



As of 18.08.2022

KECKEISEN
AKKUMULATOREN

Stefan Keckeisen
Akkumulatoren e.K.

Europastraße 9
87700 Memmingen

Fon +49 (0) 8331-94444-0
Fax +49 (0) 8331-94444-9

info@intact-batterien.de
www.intact-batterien.de